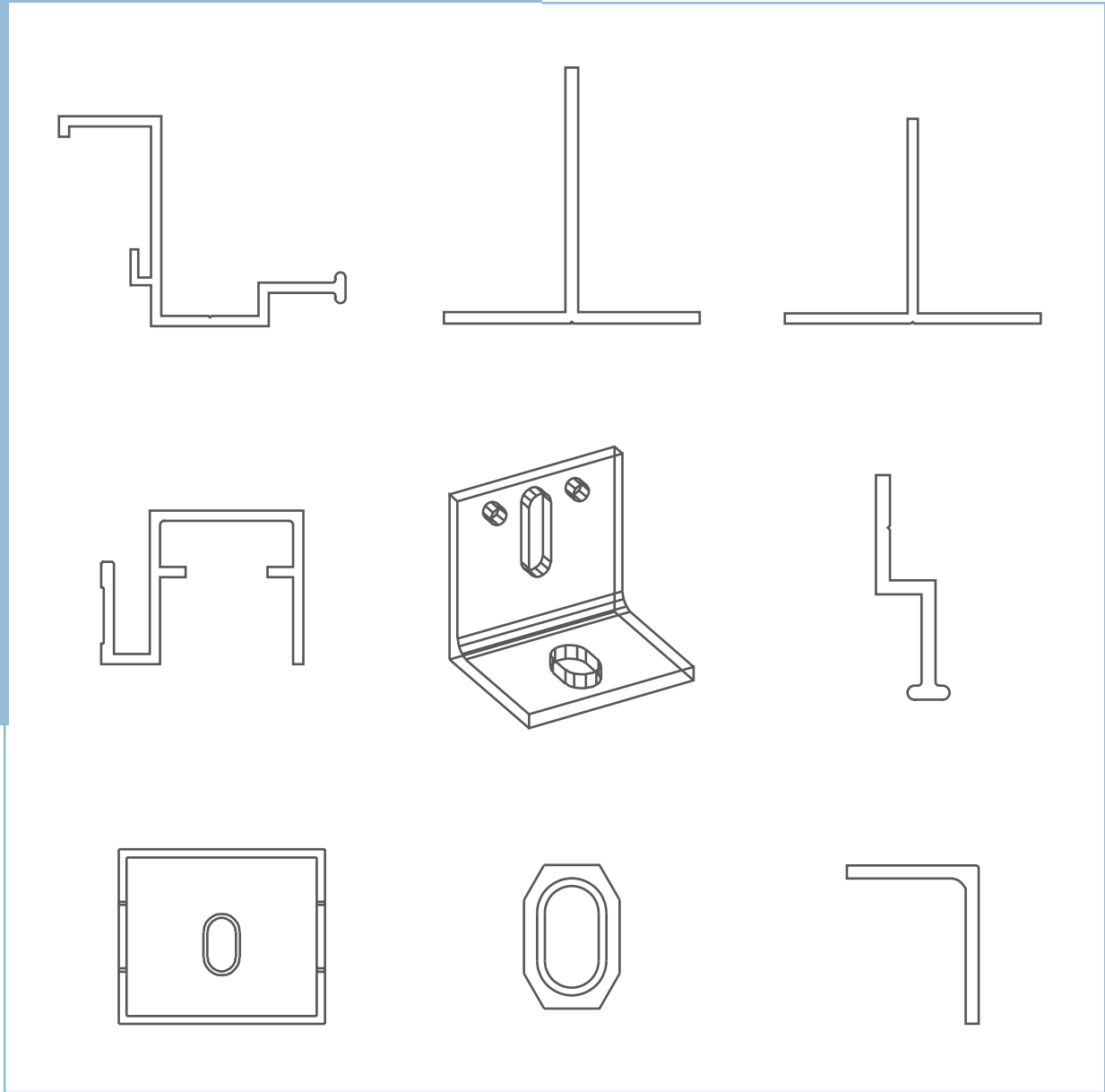


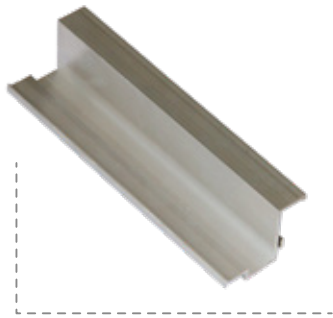


SKY RAINBOW



ACCESSORIES

FOR ASSEMBLY SYSTEMS



REFERENCE	PART	ALLOY	UNITS/BOX
MT-3129	ALUMINUM	6063-T5	METER



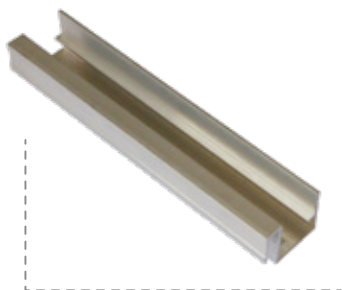
REFERENCE	PART	ALLOY	UNITS/BOX
MT-3150	ALUMINUM	6063-T5	METER



REFERENCE	PART	ALLOY	UNITS/BOX
MT-3115	ALUMINUM	6063-T5	METER



REFERENCE	PART	ALLOY	UNITS/BOX
MT-3116	ALUMINUM	6063-T5	METER



REFERENCE	PART	ALLOY	UNITS/BOX
MT-3128	ALUMINUM	6063-T5	METER



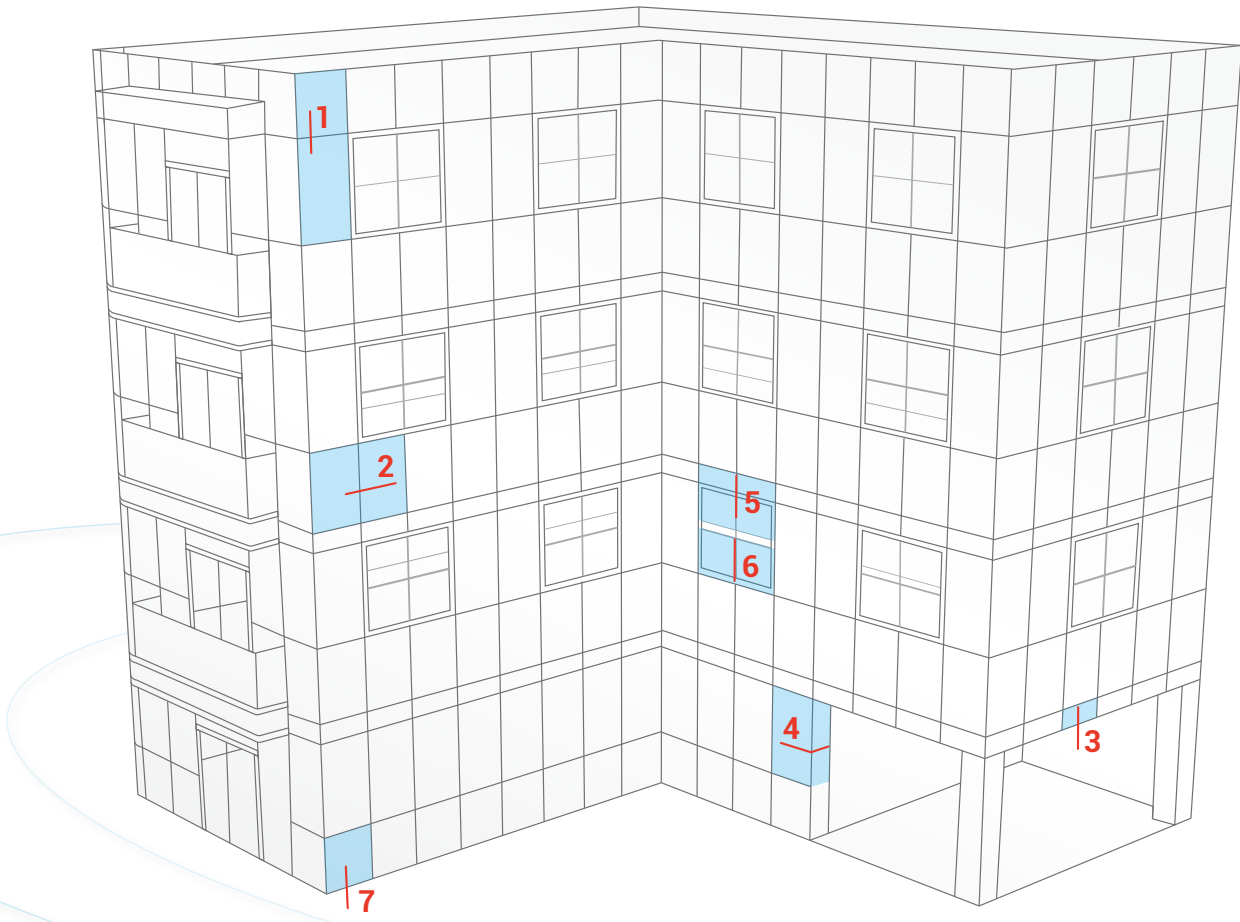
REFERENCE	PART	ALLOY	UNITS/BOX
CORNER CODE MT-3146	ALUMINUM	6063-T5	PCS



REFERENCE	PART	ALLOY	UNITS/BOX
PLASTIC PARTS 1	PLASTIC	-	PCS



REFERENCE	PART	ALLOY	UNITS/BOX
PLASTIC PARTS 2	PLASTIC	-	PCS



① VERTICAL SECTION HORIZONTAL JOINT

② HORIZONTAL SECTION VERTICAL JOINT

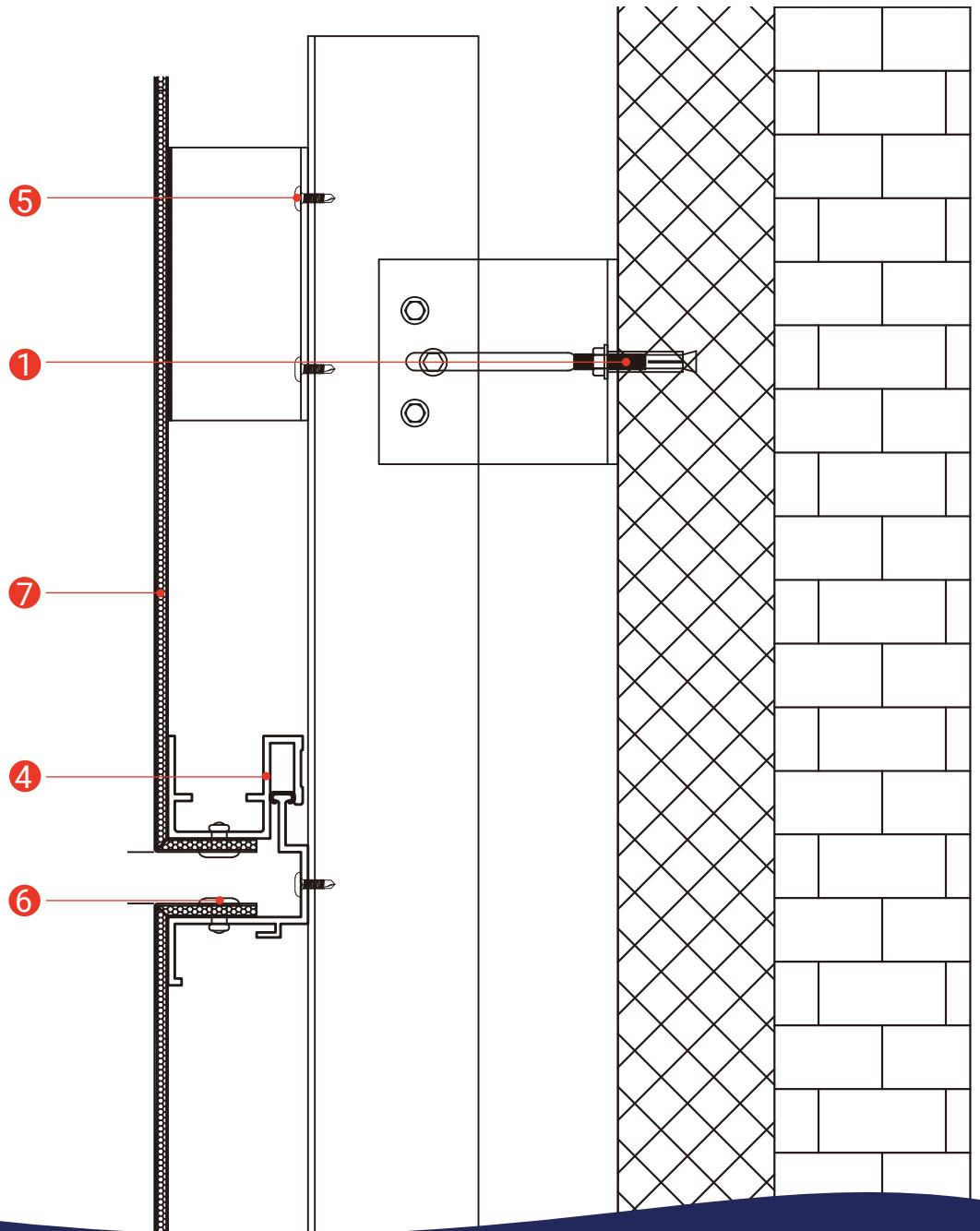
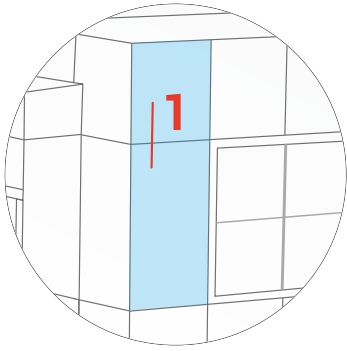
③ VERTICAL SECTION LOWER CLADDING END

④ HORIZONTAL SECTION LATERAL CLADDING END

⑤ VERTICAL SECTION WINDOW HEAD

⑥ VERTICAL SECTION WINDOW SILL

⑦ VERTICAL SECTION LOWER END



① ANCHOR SCREWS

② CORNER FITTINGS & INSULATING PADS

③ REFERENCE SURFACE PROFILES

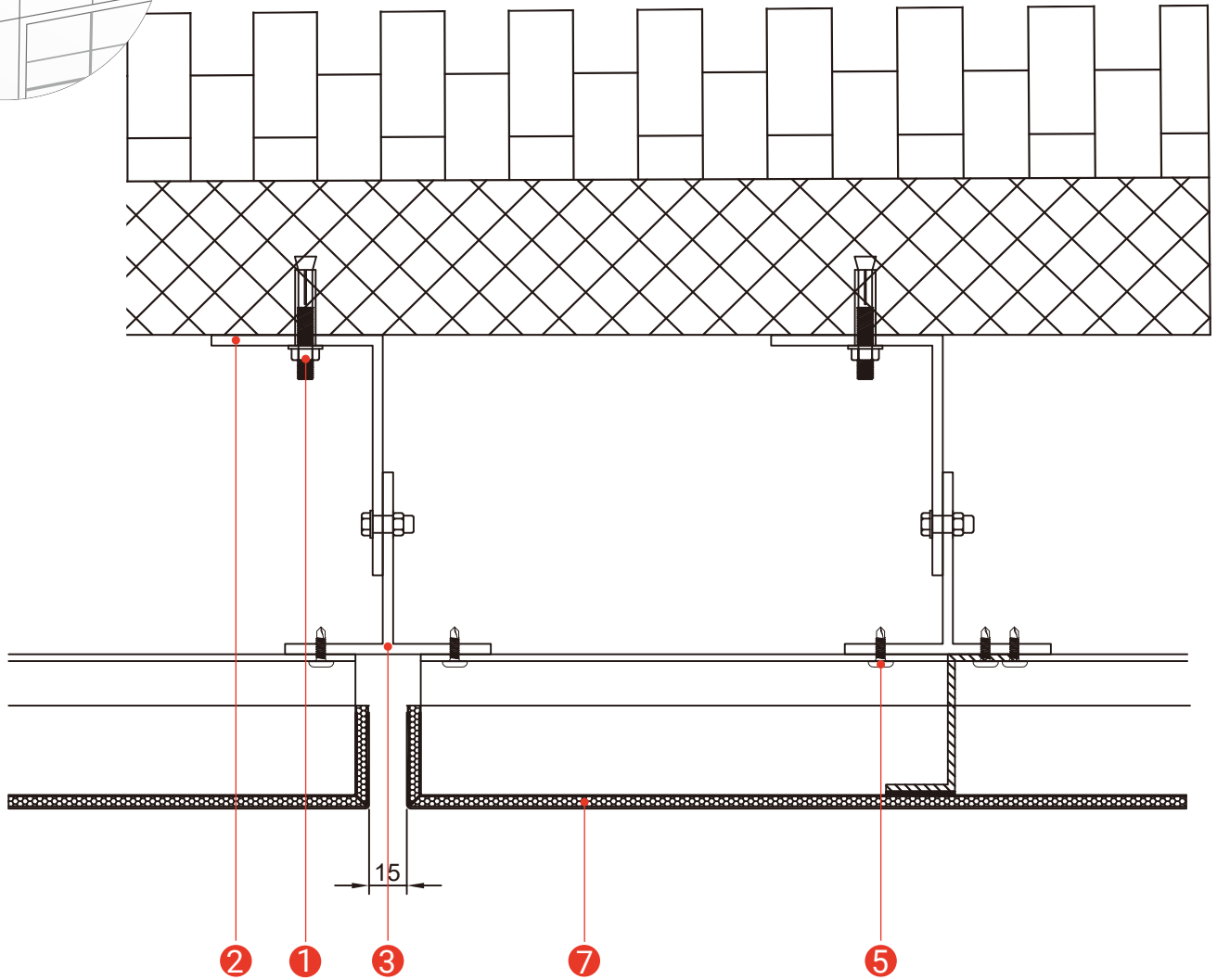
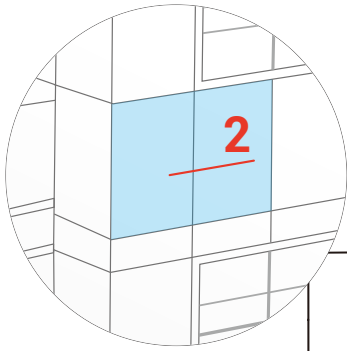
④ FINISHED SURFACE PROFILES

⑤ SELF-TAPPING SCREWS

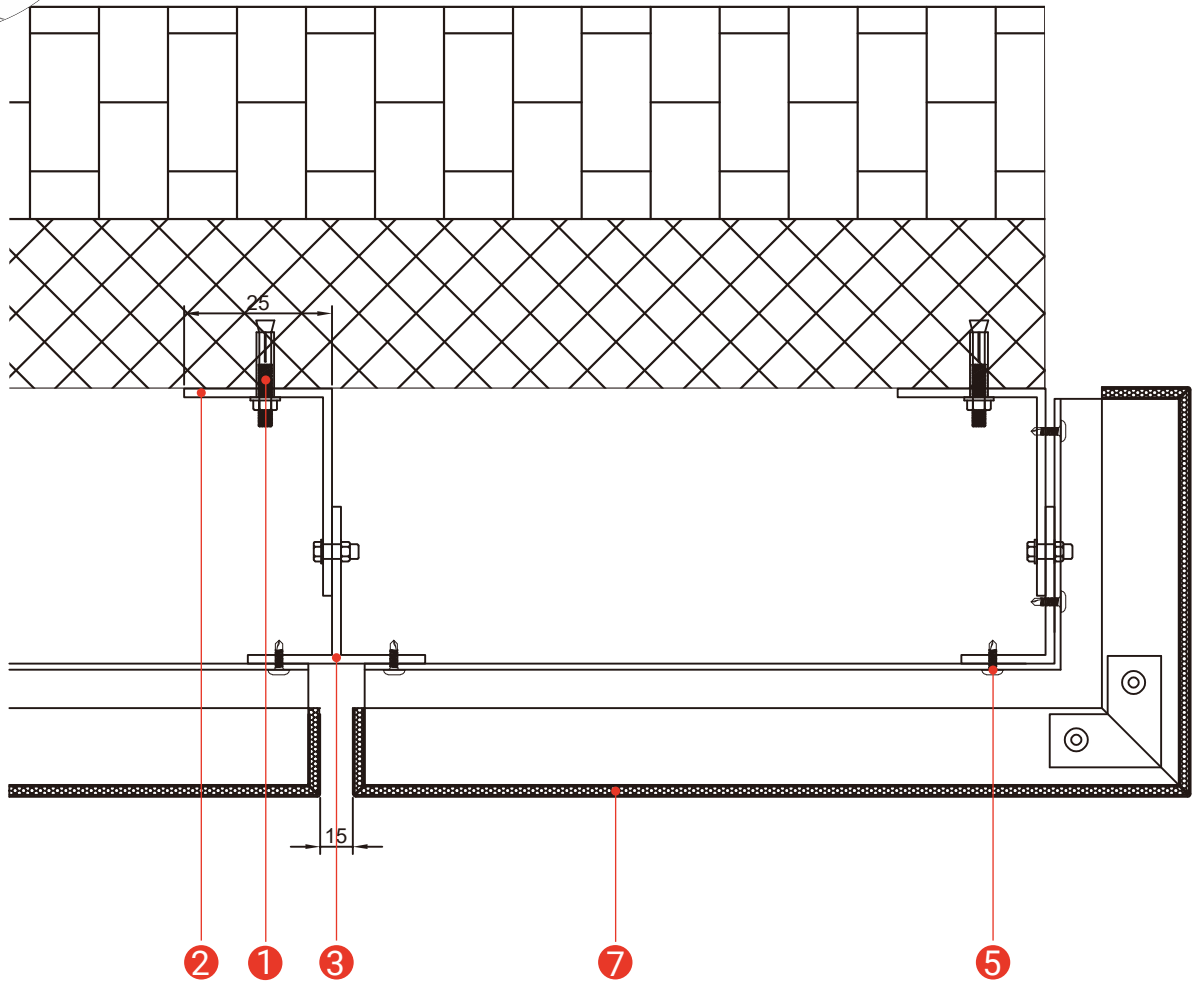
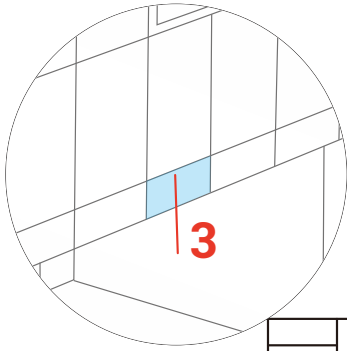
⑥ SELF-TAPPING SCREWS OR RIVETS

⑦ ALUMINUM PANELS

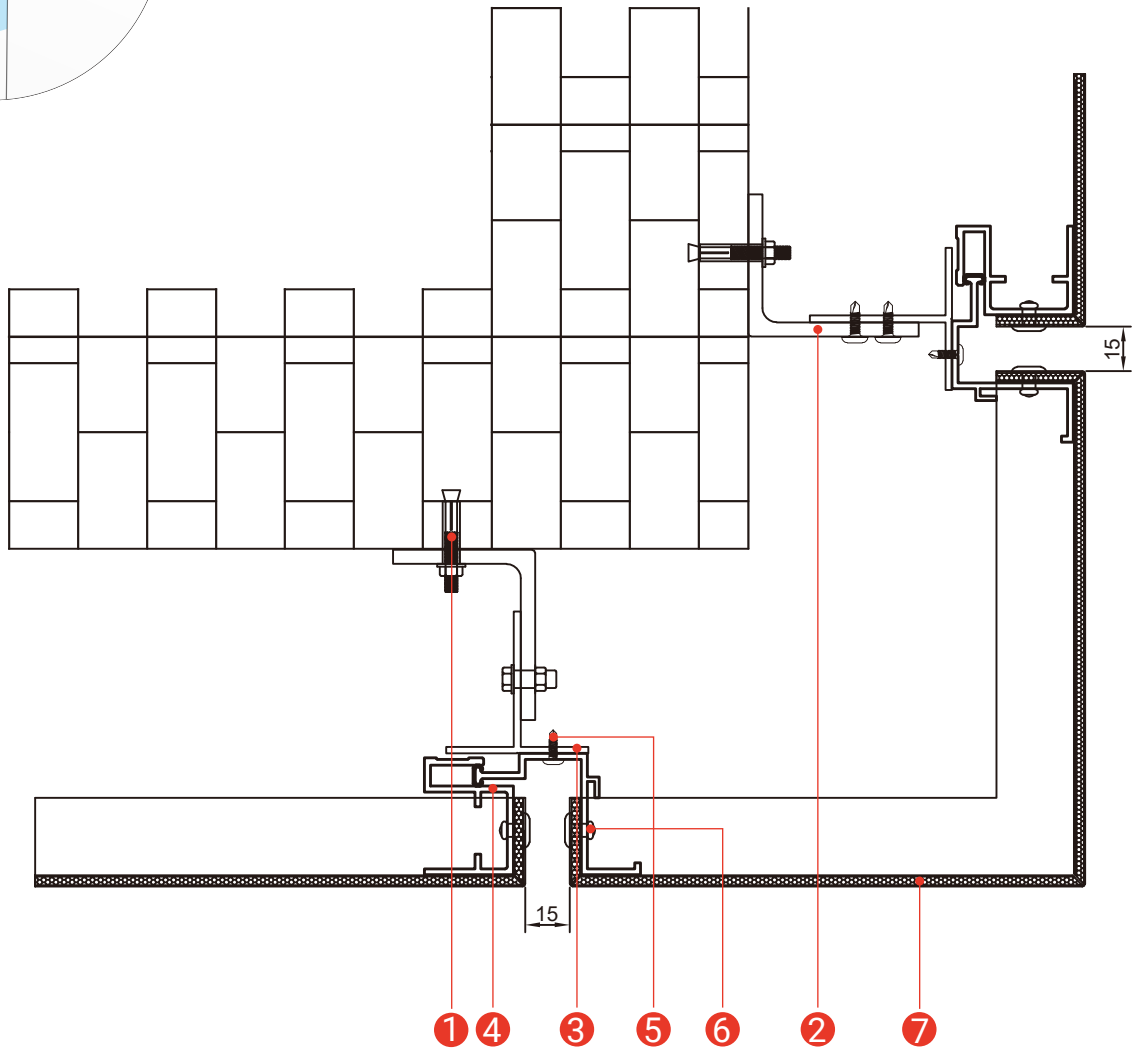
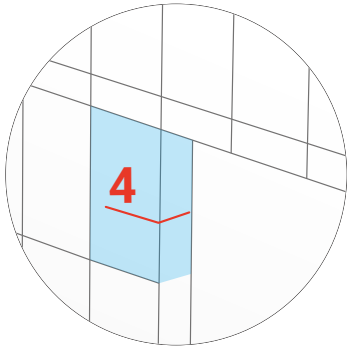
(ALUMINUM VENEER, THREE-DIMENSIONAL PANELS,
ALUMINUM-PLASTIC PANELS)



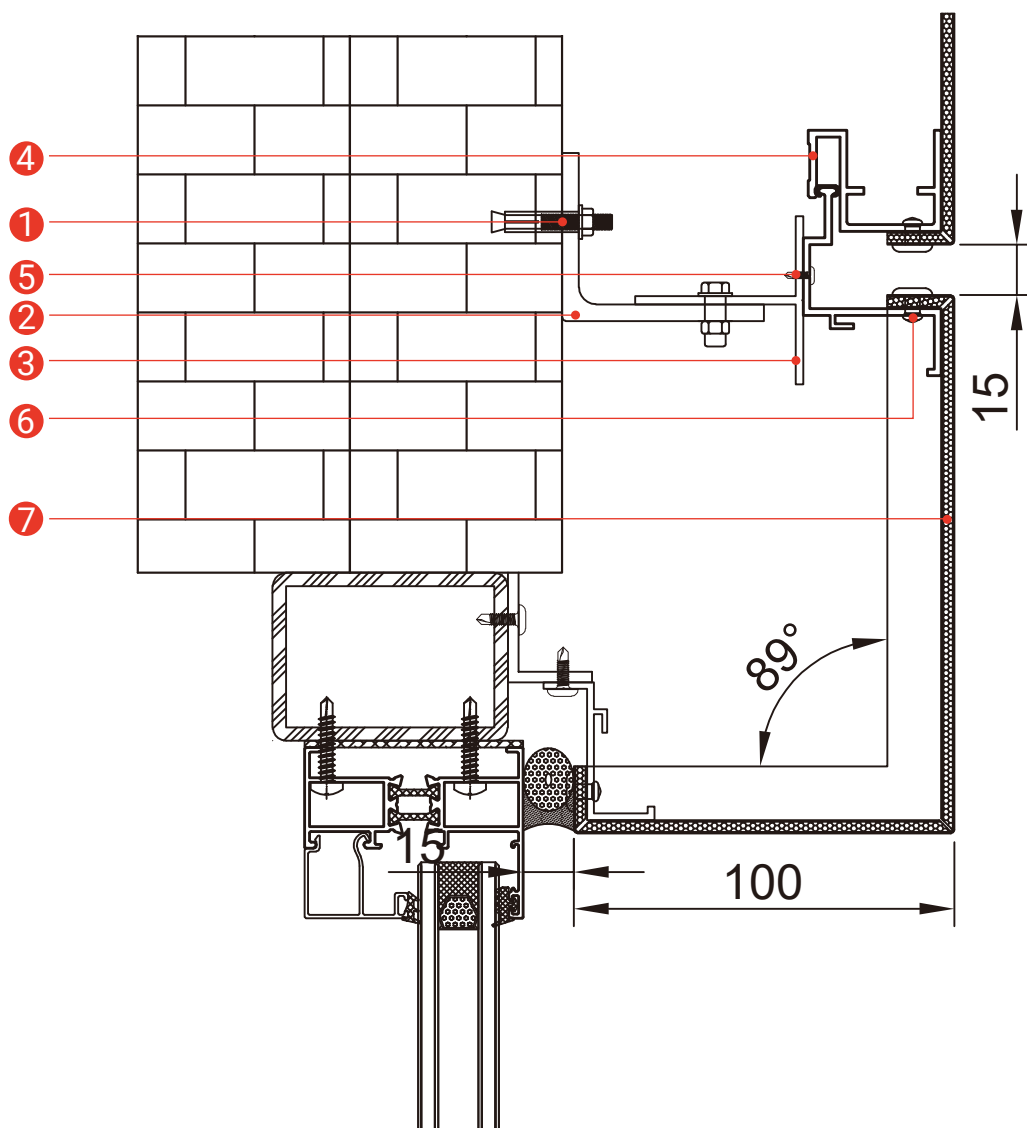
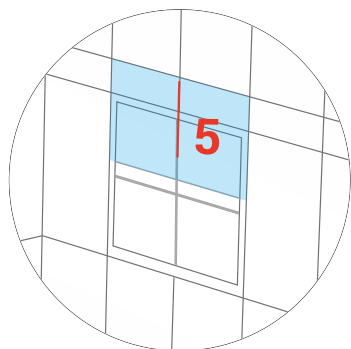
- ① ANCHOR SCREWS
- ② CORNER FITTINGS & INSULATING PADS
- ③ REFERENCE SURFACE PROFILES
- ④ FINISHED SURFACE PROFILES
- ⑤ SELF-TAPPING SCREWS
- ⑥ SELF-TAPPING SCREWS OR RIVETS
- ⑦ ALUMINUM PANELS
(ALUMINUM VENEER, THREE-DIMENSIONAL PANELS,
ALUMINUM-PLASTIC PANELS)



- ① ANCHOR SCREWS
- ② CORNER FITTINGS & INSULATING PADS
- ③ REFERENCE SURFACE PROFILES
- ④ FINISHED SURFACE PROFILES
- ⑤ SELF-TAPPING SCREWS
- ⑥ SELF-TAPPING SCREWS OR RIVETS
- ⑦ ALUMINUM PANELS
(ALUMINUM VENEER, THREE-DIMENSIONAL PANELS,
ALUMINUM-PLASTIC PANELS)



- ① ANCHOR SCREWS
- ② CORNER FITTINGS & INSULATING PADS
- ③ REFERENCE SURFACE PROFILES
- ④ FINISHED SURFACE PROFILES
- ⑤ SELF-TAPPING SCREWS
- ⑥ SELF-TAPPING SCREWS OR RIVETS
- ⑦ ALUMINUM PANELS
(ALUMINUM VENEER, THREE-DIMENSIONAL PANELS,
ALUMINUM-PLASTIC PANELS)



① ANCHOR SCREWS

② CORNER FITTINGS & INSULATING PADS

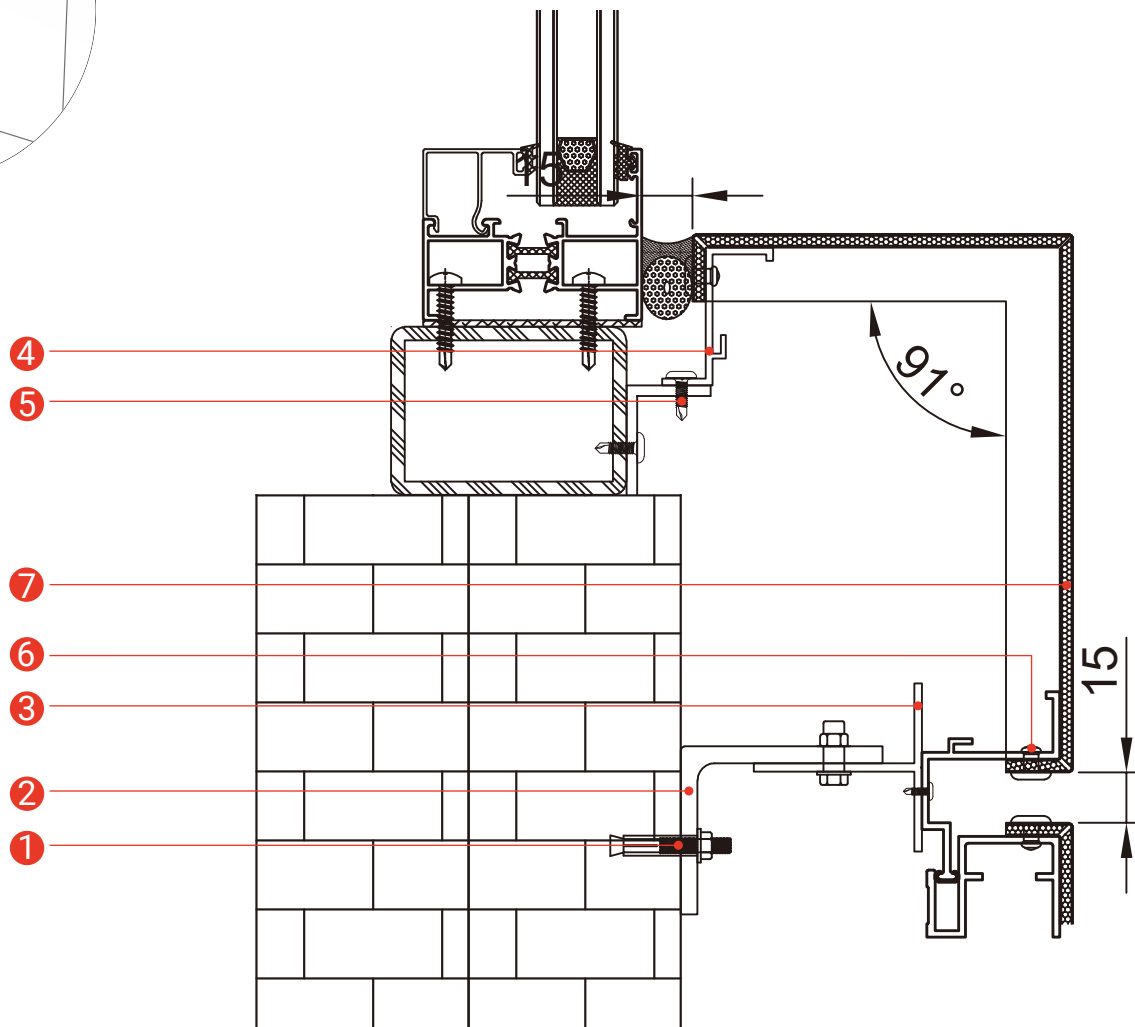
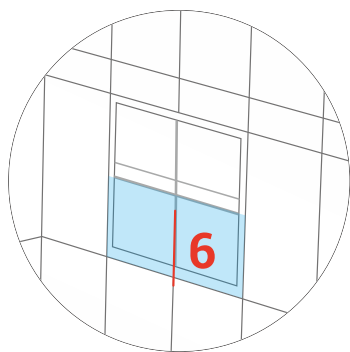
③ REFERENCE SURFACE PROFILES

④ FINISHED SURFACE PROFILES

⑤ SELF-TAPPING SCREWS

⑥ SELF-TAPPING SCREWS OR RIVETS

⑦ ALUMINUM PANELS
(ALUMINUM VENEER, THREE-DIMENSIONAL PANELS,
ALUMINUM-PLASTIC PANELS)



① ANCHOR SCREWS

② CORNER FITTINGS & INSULATING PADS

③ REFERENCE SURFACE PROFILES

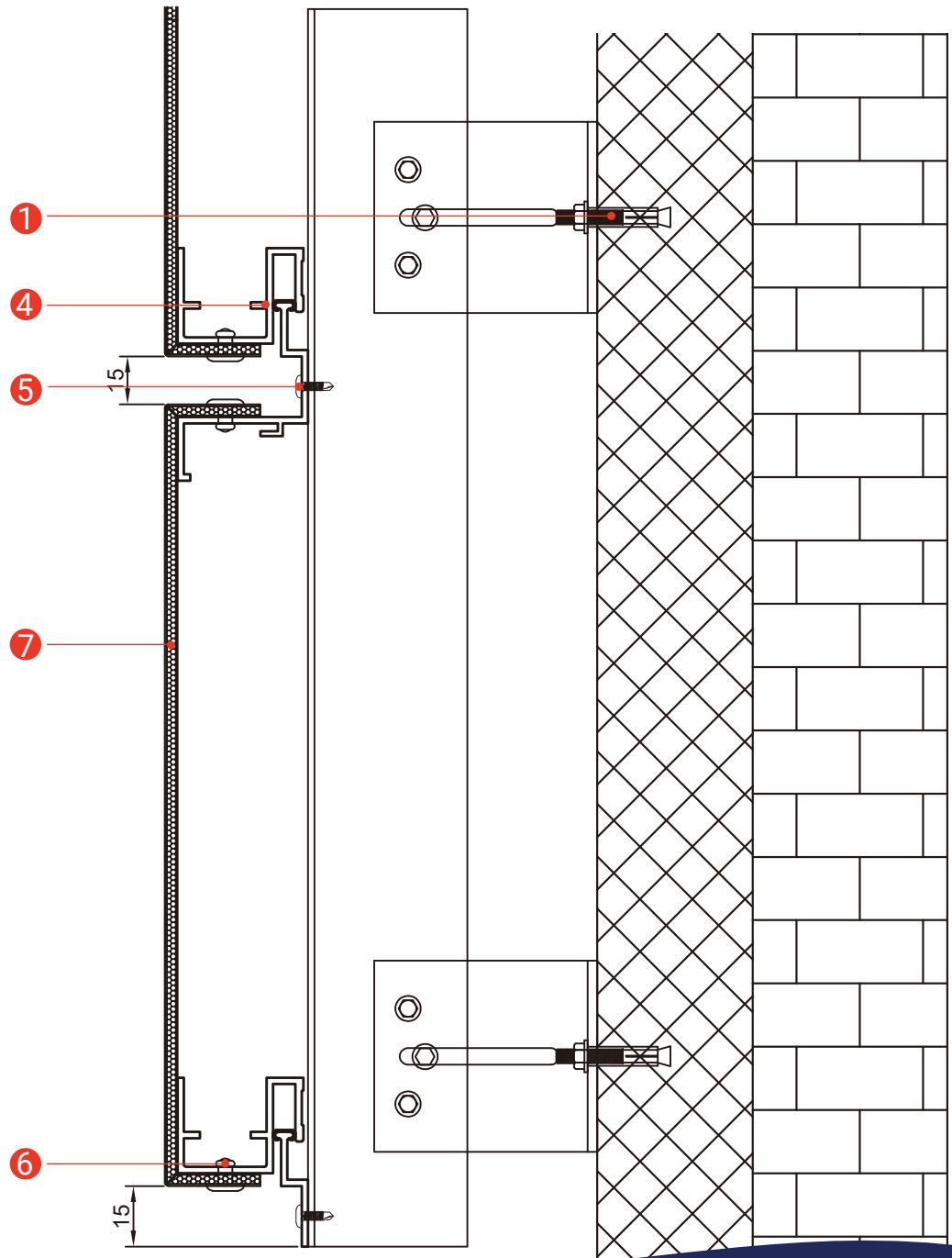
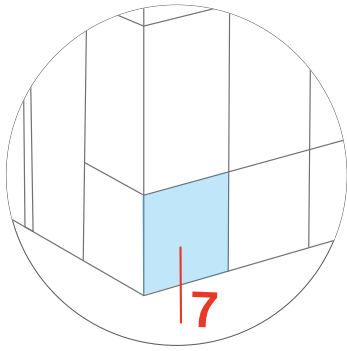
④ FINISHED SURFACE PROFILES

⑤ SELF-TAPPING SCREWS

⑥ SELF-TAPPING SCREWS OR RIVETS

⑦ ALUMINUM PANELS

(ALUMINUM VENEER, THREE-DIMENSIONAL PANELS,
ALUMINUM-PLASTIC PANELS)



① ANCHOR SCREWS

② CORNER FITTINGS & INSULATING PADS

③ REFERENCE SURFACE PROFILES

④ FINISHED SURFACE PROFILES

⑤ SELF-TAPPING SCREWS

⑥ SELF-TAPPING SCREWS OR RIVETS

⑦ ALUMINUM PANELS
(ALUMINUM VENEER, THREE-DIMENSIONAL PANELS,
ALUMINUM-PLASTIC PANELS)



SKY RAINBOW

SKYRAINBOW INDUSTRY LTD



+8613771275878
+86-510-86207988



info@sky-rainbow.com



www.skyrainbow.com